



WECHAT



WEB

Welcome to HEARKEN

Actuators and Controls

**Hearken
Here We
Can**

The Trusted, Passionate and focused Partner in Valve Automation

At HEARKEN FLOW, The founding principle of Hearkenflow is simple: to Listen our customers needs first, to develop the innovative valve actuators solutions , to meet the unique needs of our customers, Along the way, To help our customers to solve the problems in Valve Automation. We are growing our brand in Pneumatic and Electric Actuators, Accessories..



IP68



Experienced team



Large inventory



Convenient consultation

WHY WE ARE DIFFERENT

We offer a complete valve automation solution by the applications experience and customization capabilities, with an experienced support team to guide you in selection, installation, and project support. In addition we maintain an extensive supply of product inventory on hand so that we can quickly fulfill orders and reduce wait times. Our sales and support staff are readily available and accessible so that customers get the answers they need quickly.

THE TARGET WE ARE PURSUING



High-quality



low cost



Reliable solution

- To built A strong Reputation in Providing Quality, Cost Effective , Reliable And Robust Performance Solutions for Valve Automation,
- Included Pneumatic Actuators, Electrically Actuators, Actuated Valves.



COMMITMENT TO QUALITY

At HEARKEN FLOW means performance, All products manufactured by HEARKEN FLOW are warranted against defects in material and workmanship for a period of 18 months from the day of startup. Each of our products are tested at the factory. we are confident that our products meet or exceed all applicable standards before they ever leave our facility. We are an ISO 9001-2008 certified company. Our Valve Actuators Has Applied for SIL3 Certificate, ATEX Certificate ,CE,Explosion-proof Certificate, IP68 Weather proof etc....

HUM Series Electric Actuator

Description



90 degree rotary electric actuator (HUM series) adheres to specification of ISO5211. The torque ranges from 90kgf-cm² to 35000kgf-cm². Our company provides customizing service. All types of electric actuators are installed with mechanical position indicator. It can be wired to the control box, and it will show the opening position via indicator signal. There is manual override device in the electric actuator, which is used when the power supply is cut.



Product Characteristics



Enclosure

IP67 rated waterproof and dustproof enclosure. The enclosure is made of Nylon which can resist against heat, acid, and alkali. Aluminum enclosure is optional.

Motor

It is small, low consumption, and has large torque. The insulation class of all models is F class. There is overheating protection device in the motor, which can protect the motor from overheating.

Position Indicator

All models have a constant mechanical position indicator on the top of the actuator cover to indicate the position of the valve. It can also be wired to the control box, and it will show the opening position via indicator signal.

Special Voltage

For example: three-phase voltage 220V/380V/440V is available.

Manual Override Device

There are manual override device in the electric actuator, which is used when the power supply is cut. You can use wrench or hand wheel to adjust.

Flange/Mounting Type (ISO 5211)

HUM-1 to HUM-6 provides direct mounting on ISO 5211 valves. If the valve doesn't apply with ISO 5211, the fluid is steam or other high temperature fluid, it needs to use the mounting kit to mount the electric actuator and valve.

Working condition

Ambient temperature: -10°C~60°C

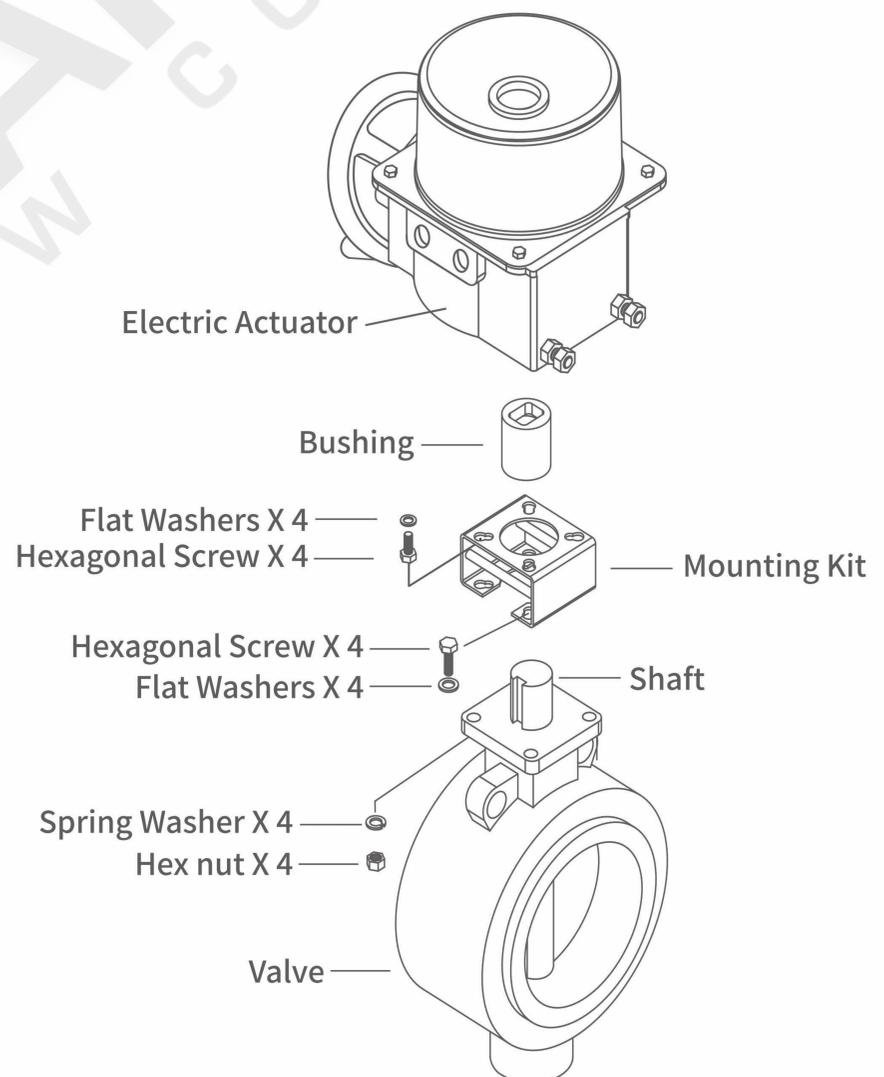
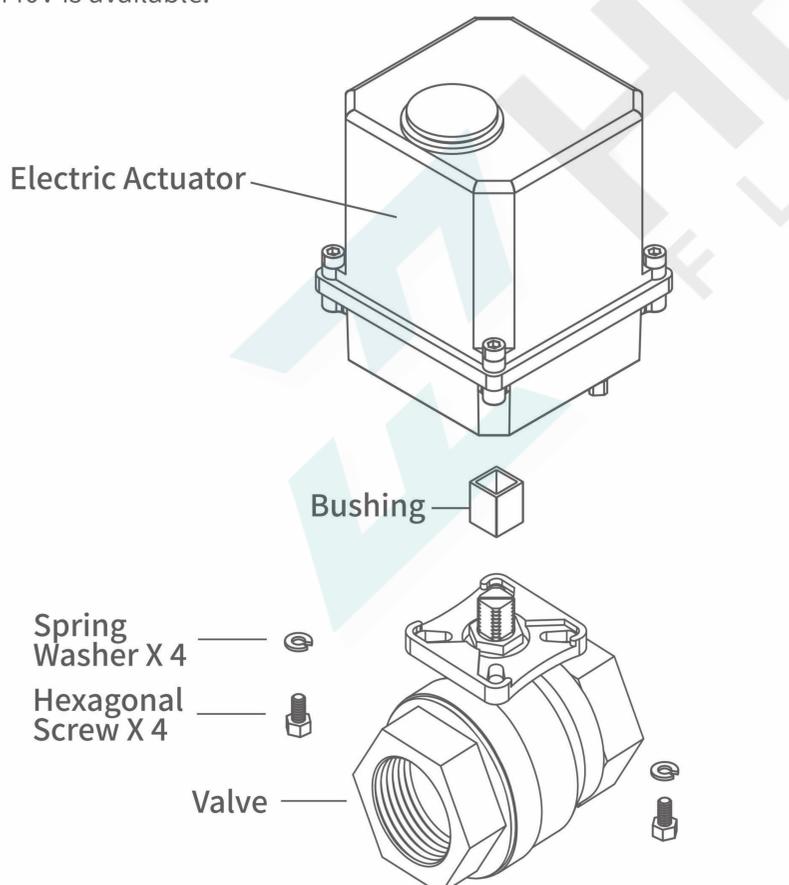
The Humidity: 30%~95%



testing for all actuators



ALL actuators manufactured by HEARKEN are individually tested. Testing is carried out to check the leakage in both internal and external. The angle of rotation and Torque values. All bodies are stamped with year, month of production, size and serial number.



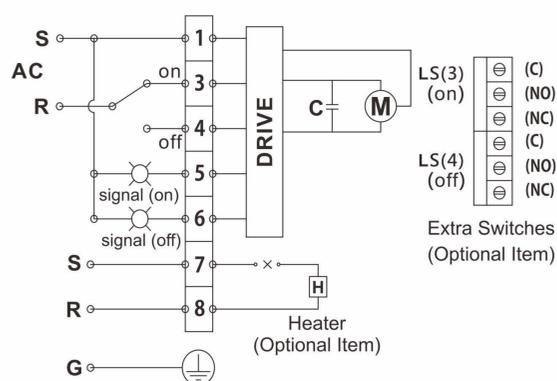
Product Specification

Model	Voltage	Current	Rated Power	Switching Speed (0~90°)	Output Torque(Nm)	Max Stroke	Output Connection Size	Manual Mode	Provides output adapter sleeve
HUMS	AC220V(50Hz)	30mA	6W	12s	15	0~360°	□14x18mm F03/F05	N/A	□14x11, □14x9
HUMS	AC110V(50Hz)	35mA	6W	12s	15	0~360°			
HUMS	DC24V	20mA	6W	12s	15	0~360°			
HUM-1	AC220V(50Hz)	0.25A	15W	12s	35	0~360°	□14x18mm F03/F05	8mm Square Output Shaft at the bottom	□14x11, □14x9
HUM-1	AC220V(50Hz)	0.25A	15W	2.5s	15	0~360°			
HUM-1	AC220V(50Hz)	0.25A	15W	1s	7	0~360°			
HUM-1	DC24V	0.5A	18W	10s	35	0~360°			
HUM-1	DC24V	0.5A	18W	2.5s	15	0~360°			
HUM-1	DC24V	0.5A	18W	1s	7	0~360°			
HUM-1S	AC220V(50Hz)	0.25A	15W	12s	50	0~360°	□14x18mm F03/F04/F05	8mm Square Output Shaft at the bottom	□14x11, □14x9
HUM-1S	AC220V(50Hz)	0.25A	15W	2.5s	15	0~360°			
HUM-1S	AC220V(50Hz)	0.25A	15W	1s	7	0~360°			
HUM-1S	DC24V	0.5A	18W	10s	50	0~360°			
HUM-1S	DC24V	0.5A	18W	2.5s	15	0~360°			
HUM-1S	DC24V	0.5A	18W	2.5s	7	0~360°			
HUM-2	AC220V(50Hz)	0.25A	15W	23s	75	0~360°	□14x18mm F04/F05/F07	8mm Square Output Shaft at the	□14x11, □14x9
HUM-2	DC24V	0.5A	18W	20s	75	0~360°			
HUM-3	AC220V(50Hz)	0.45A	25W	8s	150	0~360°	□17x20mm F07	8mm Square Output Shaft at the	□17x14
HUM-3	AC220V(50Hz)	0.45A	25W	1s	35	0~360°			
HUM-3	AC380V(50Hz)	0.25A	30W	8s	160	0~360°			
HUM-3	AC380V(50Hz)	0.25A	30W	1s	45	0~360°			
HUM-3	DC24V	0.3A	30W	8s	150	0~360°			
HUM-3	DC24V	0.3A	30W	1s	45	0~360°			
HUM-3-1	AC220V(50Hz)	0.45A	25W	8s	150	0~360°	□17x20mm F07	Lateral Handwheel	□17x14
HUM-3-1	AC220V(50Hz)	0.45A	25W	1s	35	0~360°			
HUM-3-1	AC380V(50Hz)	0.25A	30W	8s	160	0~360°			
HUM-3-1	AC380V(50Hz)	0.25A	30W	1s	45	0~360°			
HUM-3-1	DC24V	0.3A	30W	8s	150	0~360°			
HUM-3-1	DC24V	0.3A	30W	1s	45	0~360°	□22x30mm F07/F10	Lateral Handwheel	□22x17
HUM-4	AC220V(50Hz)	0.45A	25W	20s	250	0~360°			
HUM-4	AC220V(50Hz)	0.45A	25W	30s	330	0~360°			
HUM-4	AC380V(50Hz)	0.25A	30W	20s	250	0~360°			
HUM-4	AC380V(50Hz)	0.25A	30W	30s	330	0~360°			
HUM-4	DC24V	0.3A	30W	20s	250	0~360°			
HUM-4	DC24V	0.3A	30W	30s	330	0~360°	□22x34mm F10/F12	Lateral Handwheel	□27x22
HUM-5	AC220V(50Hz)	0.55A	40W	30s	450	0~360°			
HUM-5	AC380V(50Hz)	0.25A	40W	30s	450	0~360°	□22x34mm F10/F12	Lateral Handwheel	□27x22
HUM-6	AC220V(50Hz)	0.65A	60W	30s	600	0~360°			
HUM-6	AC380V(50Hz)	0.65A	60W	30s	600	0~360°			

wiring Diagram

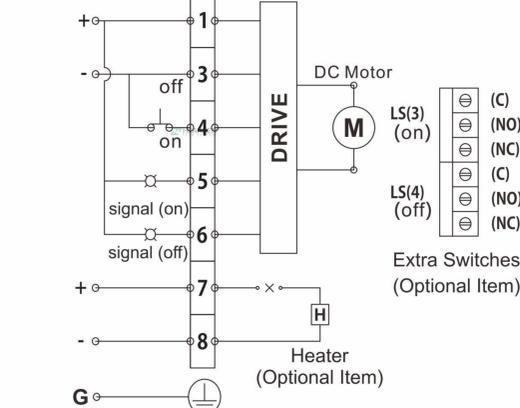
01 HUM-1~HUM-6 AC110V/220V

Wiring Diagram-
Client



02 HUM-1~HUM-2 DC24V

Wiring Diagram-
Client



03 HUM-3~HUM-6 DC24V

Wiring Diagram-
Client

